

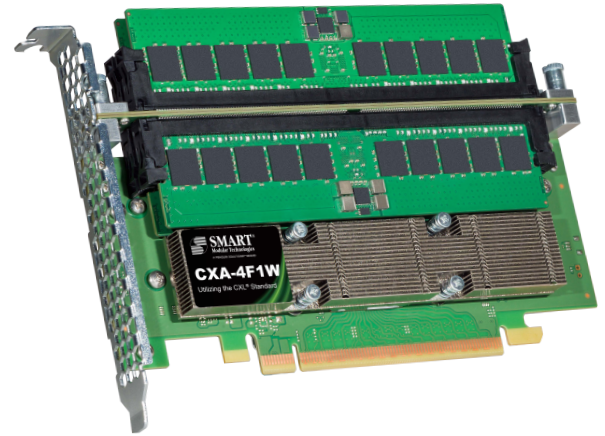
4-DIMM Add-in Card (CXA-4F1W)

For the CXL[®] Standard

SMART's CXA-4F1W is a 4-DIMM AIC, a Type 3 PCIe Gen5 Add-In Card (AIC) utilizing the CXL standard consisting of four DDR5 RDIMMs mounted on a Full Height, Half Length PCIe form factor module. It uses one x16 CXL controller to implement a single x16 CXL port capable of a total bandwidth of 64GB/s.

Each RDIMM socket supports up to 128GB RDIMMs for a maximum memory capacity of 512GB. The CXL Controllers implement "Reliability, Availability, and Serviceability" (RAS) features, advanced analytics, as well as enhanced security features with in-band or side band (SMBus) monitoring capability.

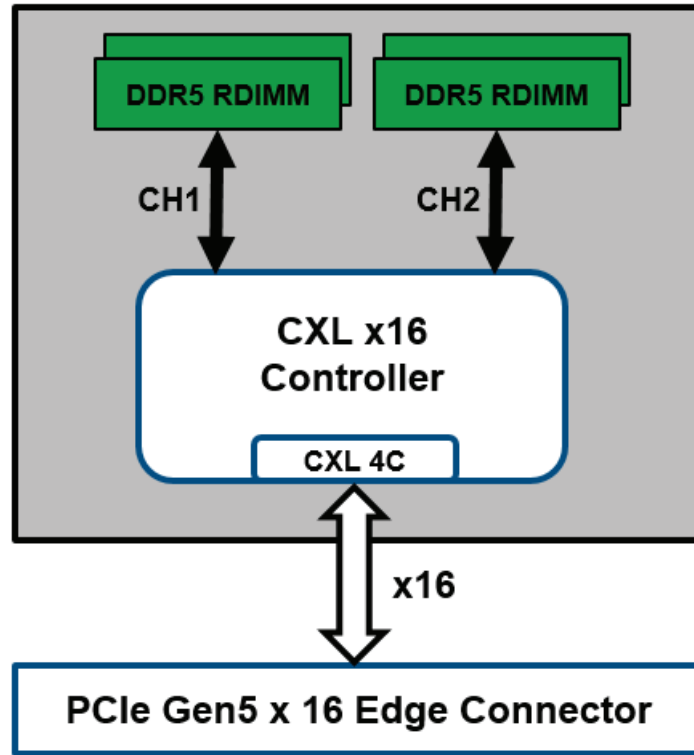
SMART develops CXL Type 3 (CXL.mem) memory products to address the industry's need for more memory per processor core. The CXL interconnect specification allows for a significant expansion of memory form factor options in PCIe or EDSFF form factors.



Key Features

- Host Interface
 - CXL 2.0
 - One x16 ASIC
 - Up to 64GB/s throughput
- Memory Interface
 - 4 x 128GB DDR5 RDIMMs (512GB max)
 - CXL controller supports two channels up to DDR5-4800
 - Each Channel supports 2DPC
- RAS Features
 - End-to-end data path integrity with overlapping parity/ECC
 - SECDED ECC support to DDR
 - Reed-Solomon ECC support to DDR
 - Programmable patrol scrub
 - Secure boot
 - Secure firmware update
- Device personalization/certificates
- Attestation
- Key management
- Firmware encryption
- Firmware Authentication, Integrity Check
- Post-Package Repair (PPR) and on-die Error Check and Scrub (ECS)
- Memory Expansion Applications
 - Accelerated AI and ML Workloads
 - Large In-memory databases
 - Banking, Finance, OLTP
 - Tiered cache for general purpose storage

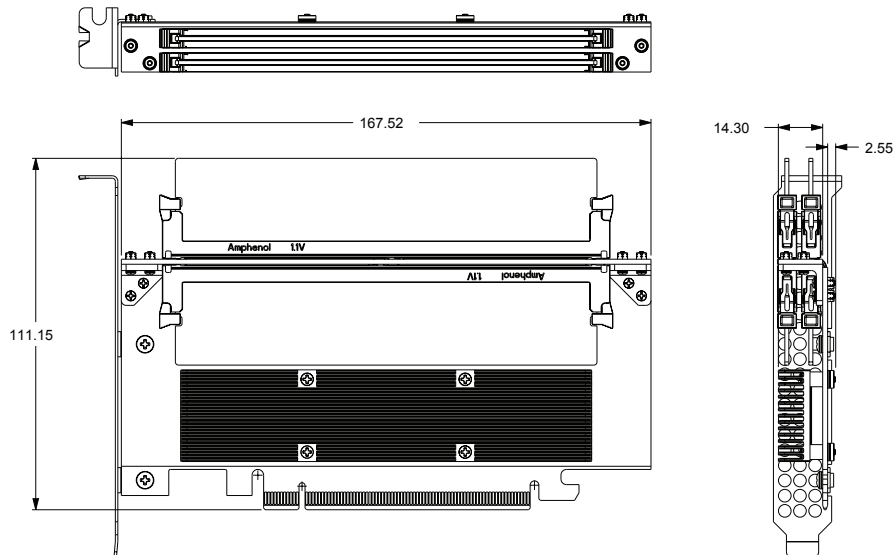
System Block Diagram



Dimensions

The 4-slot AIC uses Full Height Half Length PCIe form factor.

- Height: 111.15mm
- Length: 167.52mm
- Width: 33.90mm



Preliminary Schedule

- ES available in February '24

Ordering Information

4-Socket CXL AIC		
SMART Part Number	Description	Configuration
STXPLXXGMC4RD5	PCIe x8, FHHL	Single-width AIC without DDR5 RDIMMs
STXPL128GMC4RD5	CXL, PCIe x8, 128GB, FHHL	Single-width AIC with four 32GB DDR5 RDIMMs
STXPL256GMC4RD5	CXL, PCIe x8, 256GB, FHHL	Single-width AIC with four 64GB DDR5 RDIMMs
STXPL512GMC4RD5	CXL, PCIe x8, 512GB, FHHL	Single-width AIC with four 128GB DDR5 RDIMMs

Contact: Torry Steed at torry.steed@smartm.com for any sales and sampling queries.



For more information, please visit: www.smartm.com

**Product images are for promotional purposes only. Labels may not be representative of the actual product.*

Headquarters/North America:

T: (+1) 800-956-7627 • T: (+1) 510-623-1231

F: (+1) 510-623-1434 • E: info@smartm.com

Latin America:

T: (+55) 11 4417-7200 • E: sales.br@smartm.com

Asia/Pacific:

T: (+65) 6678-7670 • E: sales.asia@smartm.com

EMEA:

T: (+44) 0 7826-064-745 • E: sales.euro@smartm.com

Customer Service:

T: (+1) 510-623-1231 • E: customers@smartm.com